



CABLE CONCEALED CISTERN

291041
A_04/2023

PRE-INSTALLATION :

- Check to make sure you have all the parts listed.
- Check the product for any signs of damage . It is recommended that a technically competent installer undertakes installation.
- When you are ready to start, make sure that you have the right tools to hand.
- Ensure that you shut off the mains water supply completely before proceeding with the installation.
- Ensure that the mounting surface is sound, clean and dry before the product is installed.



WARNING :

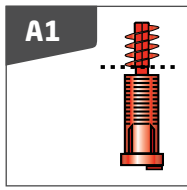
- Care should be taken when drilling into walls and floors to avoid any hidden wires or pipes.
- It is the installer's responsibility to carry out a thorough assessment of the installation environment (i.e. wall type / structure) and use appropriate fixings.
- The fixing supplied with this cistern will NOT suit every type of material or construction. The fixing plugs supplied with this product are suitable for solid walls only. Plasterboard or stud walls may require specialist fixings. Always ensure the product is securely installed before use.
- Do not overtighten the fixings otherwise it may damage the product.
- Do not use any sealing compound on this product as damage may occur to plastic components.
- Failure to follow these instructions may result in personal injury, damage to the product and property damage.

| Component | Description | QTY |
|-----------|---|-----|
| A | Push button | 1 |
| B | Cistern body | 1 |
| C | Cistern lid | 1 |
| D | Inlet valve | 1 |
| F | Flush valve | 1 |
| G | Flushpipe | 1 |
| H | Flushpipe washer | 1 |
| I | Flushpipe coupling nut | 1 |
| J | Wall mounting bracket | 1 |
| K | Screws | 2 |
| L | Fixing plugs | 2 |
| M | Flushpipe connector | 1 |
| N* | Access cover | 1 |
| * | Only supplied in certain cistern models | |

CABLE CONCEALED CISTERN

A. COMMISSIONING OF INLET VALVE

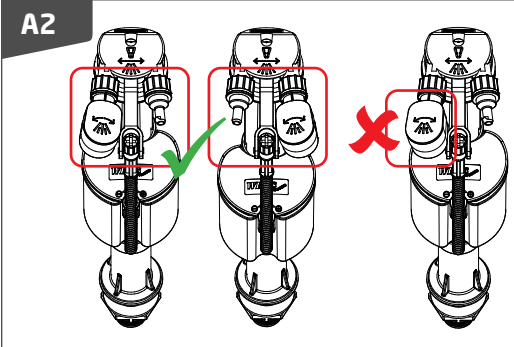
1. The filter / restrictor is preassembled into the threaded tail of the inlet valve. Ensure the correct length for the incoming water pressure:
> 1 bar leave the filter / restrictor as supplied (pre-assembled in the inlet)
< 1 bar cut the filter / restrictor as per the image and replace.



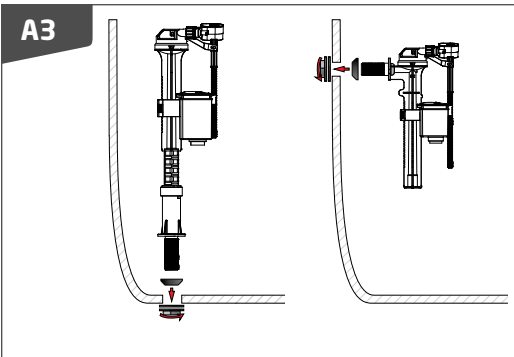
2. The water discharge is factory fitted to the right-hand side, it can be switched position however there is no requirement in this installation.



WARNING ensure the blanking plug is fitted and locked securely in place! There should be NO visible thread showing

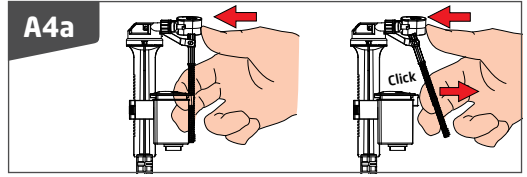


3. Remove the backnut and plastic washer, leaving the conical rubber washer in place. Position the inlet valve within the cistern, replace plastic washer and secure in place with the backnut.

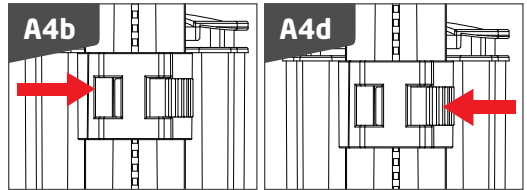


The backnut should be tightened by hand and then a further half turn using a spanner or small wrench. DO NOT OVERTIGHTEN.

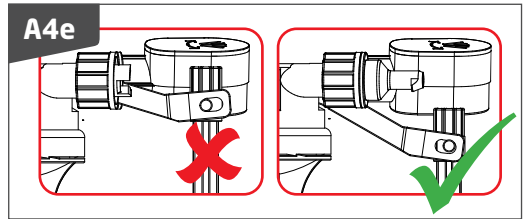
4. Set the inlet valve to the water line.
a. Unclip the red adjusting rod



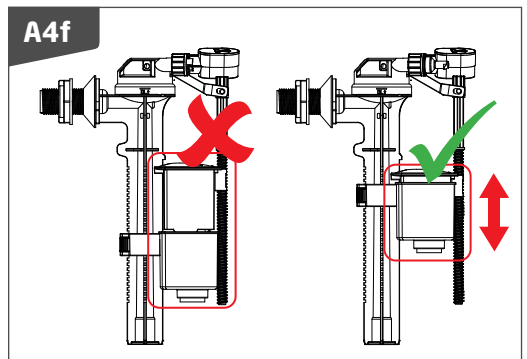
- b. Unlock the quick release clip.
c. Move the float and cup up / down the inlet body to position the top of the bottom cup to the 'CABLE' waterline marked on the inside of the cistern.
d. Lock the quick release clip back in place.



- e. Reclip the adjustment rod ensuring the red arm is a downward position.



- f. Ensure the float can move freely within the cup.



B. COMMISSIONING OF FLUSH VALVE

1. Insert the threaded section of the flush valve into the hole in the base of the cistern ensuring that the rubber washer is on the inside of the cistern and secure using the backnut. Ensure the flush valve is orientated as per the image below, depending on push button position.



2. Set the flush valve to the required flush volume / s.

B2

| 6 / 4 LITRES | | 4 / 2.6 LITRES | |
|--------------------|---------------------|------------------|---------------------|
| FULL FLUSH | PART FLUSH | FULL FLUSH | PART FLUSH |
| | | | |
| Slide fully closed | Slide in position 3 | Slide fully open | Slide in position 9 |

CABLE CONCEALED CISTERN

C. FIXING THE CISTERN TO THE WALL

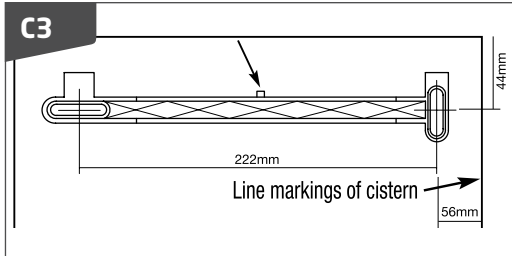
- Establish the location of the cistern relative to the WC pan using the min / max flushpipe heights below;
 - 2" flushpipe: max 190mm, min 100mm

Note: the cistern should be fitted as high as possible inside a WC unit. In deep WC units or wall cavities, it may be necessary to fit a wooden batten to the rear of the unit or solid wall to move the cistern and flushpipe forwards.



IF THE CISTERN DOES NOT HAVE A FRONT CUT OUT, IT SHOULD NOT BE INSTALLED IN FRONT ACCESS FURNITURE UNITS.

- Mark where the cistern is to be located (top and sides), use a spirit level to ensure the cistern is level.
- Fit the wall mounting bracket to the centre of the installation position as shown below ensuring that the moulded arrow points towards the wall.



- Check that the wall mounting bracket is level using a spirit level before finally tightening the screws.
- Hang the cistern onto the wall mounting bracket.

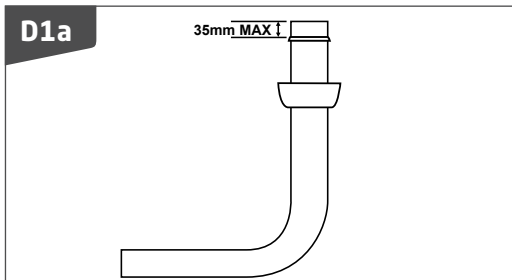
D. FITTING THE FLUSHPIPE

D.1 Vertical Adjustment of the Flushpipe

- Place the coupling nut followed by the seal on the flushpipe. Insert flushpipe into tail of flush valve and secure with the coupling nut, tighten by hand.

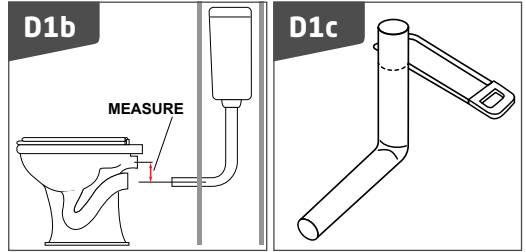


DO NOT OVERTIGHTEN.



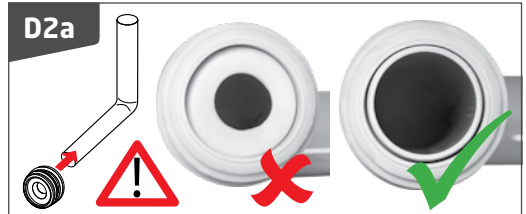
- Offer the WC pan up to the flushpipe. Measure the vertical distance between the centre of the flushpipe and the centre of the water inlet in the rear of the WC pan. Make a note of this measurement. Remove the WC pan.

- Undo the coupling nut and remove the flushpipe from the cistern. Transfer the measurement made in Step D1b onto the top of the flushpipe. Remove the section marked using a hacksaw. The cut end of the flushpipe must be finished with sandpaper or a file.

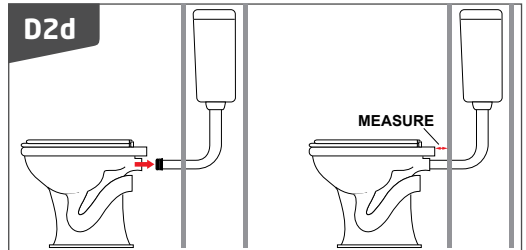


D.2 Horizontal Adjustment of the Flushpipe

- Push the flushpipe connector onto the end of the flushpipe



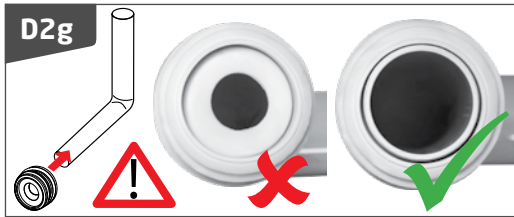
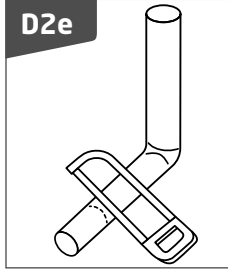
- Repeat step D1a.
- Push the WC pan back into position so that the flushpipe enters the water inlet in the rear of the pan.
- Measure the distance between the rear of the WC pan and the front of the WC unit or wall (including any front panel or tiles, if applicable). Make a note of this measurement. Remove the WC pan.



e. Undo the coupling nut and remove the flushpipe from the cistern and remove the flushpipe connector from the flushpipe. Transfer the measurement made in step D2d onto the end of the flushpipe. Remove the section marked using a hacksaw. The cut end of the flushpipe must be finished with sandpaper or a file.

f. Repeat step D1a.

g. Replace the flushpipe connector and fit the front panel onto the WC unit (if applicable). Push the pan back onto the flushpipe.



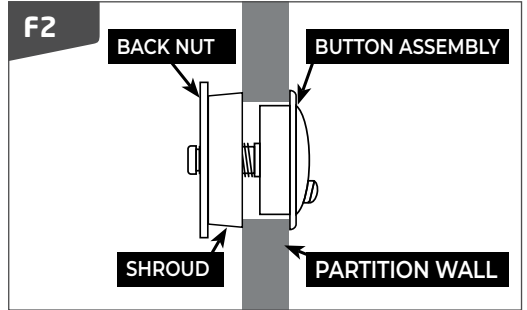
F. BUTTON INSTALLATION :

1. Using a drill and appropriate bit, drill a 40mm hole in the fascia panel of the WC unit or false wall in a suitable position for the push button.



Check the button will reach chosen position and is not restricted by the length of the cable.

2. Secure the push button to the WC unit fascia panel using the shroud and backnut provided. Do not overtighten as it could cause the button to stick.



3. Attach the cable from the flush valve onto the back of the push button, ensuring the route of the cable is not kinked or stretched.

4. Attach the fascia panel to the WC unit (if applicable).

E. FINAL COMMISSIONING :

Final commissioning must be made before enclosing the cistern. Always allow for easy access for maintenance. Commissioning must include checks for water tightness and correct function of equipment. The manufacturer will not be held responsible for any losses arising from failure to comply with this notice.

1. Ensure pipework is free from any debris and sealant.
2. Connect the water supply to the cistern inlet valve. Before turning on the water supply, check all components are free moving and all joints are correctly made.
3. Turn on water supply and allow the cistern to fill. Check thoroughly for leaks around the toilet, cistern, water inlet, flushpipe and waste connections.
4. Flush the cistern and allow it to fill, the inlet should shut off at the 'CABLE' waterline. If minor adjustments are required, turn the red adjustment rod.
 - a. Clockwise to raise the water level
 - b. Anti-clockwise reduces the water level

Flush the cistern and repeat step 4 until the water shuts off on the water line.

5. Hold the adjusting rod down to cause the cistern to internally overflow. ⚠️ Ensure that the overflow can discharge the incoming water. If necessary, reduce the incoming water flow by partially closing the isolation valve (not supplied).
6. Fit the cistern front access cover if the model is supplied with one.
7. Fit the cistern lid onto the cistern.

TROUBLESHOOTING

THE INLET VALVE WILL NOT LET WATER INTO THE CISTERN:

- Check the water supply and isolation valve are turned on.
- Make sure the inlet valve float has free movement and is not in the shut off position, refer to step A4f.
- Check the inlet valve filter / restrictor for debris and rinse with clean water. The filter / restrictor can be removed from the tail of the inlet valve with pliers.

THE INLET VALVE WILL NOT SHUT OFF:

- Ensure the inlet is setup correctly, refer to step A.
- Make sure the inlet valve float has free movement and is not jammed, refer to step A4f.
- Check the diaphragm is clear of debris.
 - V. Unclip red adjusting rod, refer to step A4a.
 - VI. Rotate inlet head 90 degree anticlockwise.
 - VII. Remove diaphragm.
 - VIII. Clean with warm soapy water and check for any damage. Replace if necessary.
 - IX. Replace the diaphragm ensuring it seats inside the rim.
 - X. Replace the head and turn clockwise to lock in place.
 - XI. Reclip the adjustment rod ensuring the red arm is a downward position, refer to step A4e.
- Check the inlet valve filter / restrictor for debris and rinse with clean water. The filter / restrictor can be removed from the tail of the inlet valve with pliers.

THE CISTERN IS FILLING TOO QUICKLY:

- Ensure the inlet is setup correctly, refer to step A.
- Ensure the filter / restrictor is fitted in the tail of the inlet valve.
- Ensure the filter / restrictor is at the correct length for the incoming water pressure, refer to A1.
- Reduce the incoming water flow by partially closing the isolation valve (not supplied).

THE CISTERN IS SLOW TO FILL:

- Ensure the filter / restrictor is at the correct length for the incoming water pressure, refer to A1.

THE FLUSHING VALVE KEEPS RUNNING / FLUSHING:

- Ensure the route of the cable is not kinked.

THE CISTERN IS SLOW TO EMPTY:

- Check the flushpipe connector has been installed correctly, see step D2a.

LEAKING FROM THE BACKNUT:

- Check the flush valve / inlet valve has been installed correctly, see steps A / B.

CLEANING



Do not use cleaning products or drain cleaners that contain bleach, acid or harsh chemicals in your cistern or for cleaning.

Clean any chrome parts using warm soapy water and a soft, damp cloth. Wipe dry with a clean cloth. Scourers, abrasives and chemical cleaners should not be used.

